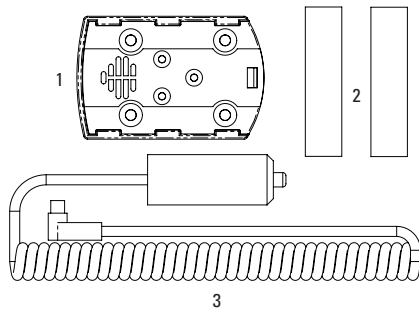


# TPX™

**AUTOMOTIVE MOUNT  
INSTALLATION**

**ADAPTIV™**  
TECHNOLOGIES

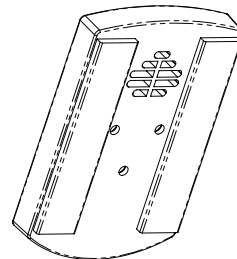
## CONTENTS



<i>Item No.</i>	<i>Name</i>	<i>Qty.</i>
1	<i>Mounting Plate</i>	1
2	<i>Hook and Loop Fastener</i>	2
3	<i>Automotive Power Cord</i>	1

This Mount is designed to be used in most cars, light trucks, or SUVs.

1. Locate an available space on the dashboard.
2. Affix the *Mounting Plate* to the dashboard with the supplied *Hook and Loop Fastener* as shown in **Figure 1**.



**Figure 1**

3. Slide the Main Console (sold separately) onto the *Mounting Plate* as shown in **Figure 2**.

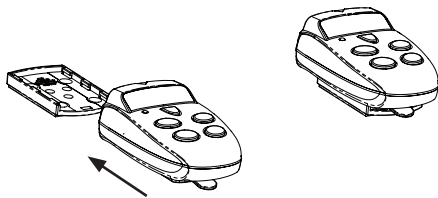


Figure 2

**Adaptiv Technologies, LLC**

459 Columbus Avenue

Suite 709

New York, NY 10024

**[www.RadarForBikes.com](http://www.RadarForBikes.com)**

866-ADAPTIV

(866-232-7848)



**Tip:** For optimal performance, the Main Console should be horizontal to the ground and should not be obstructed.



**Warning:** Verify that the position of the Main Console and Mount will not interfere with proper operation of the vehicle.

4003-00R1